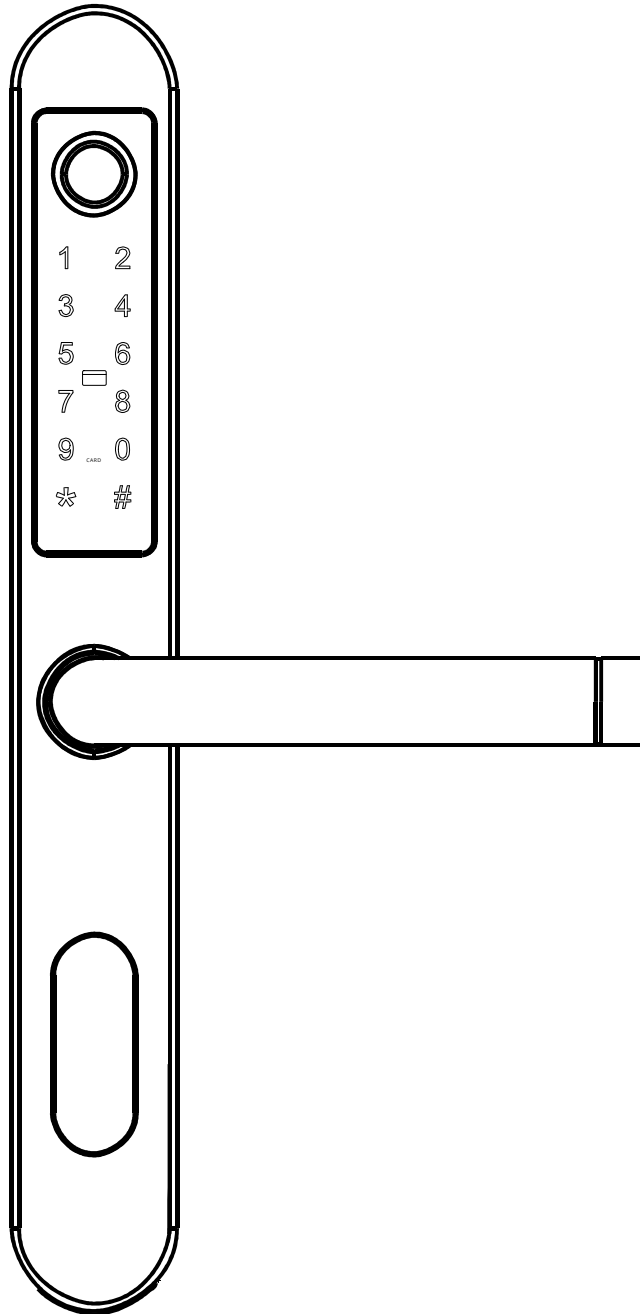
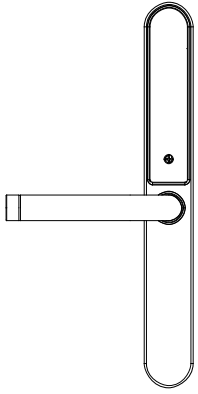


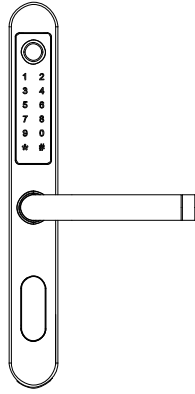
# Be-Tech 501 User Manual



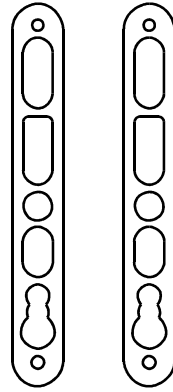
# Component Overview



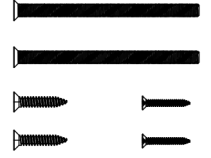
Rear Panel



Front Panel



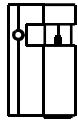
Rubber Gasket



Screw



Spindle



Cylinder



Key



Magnet

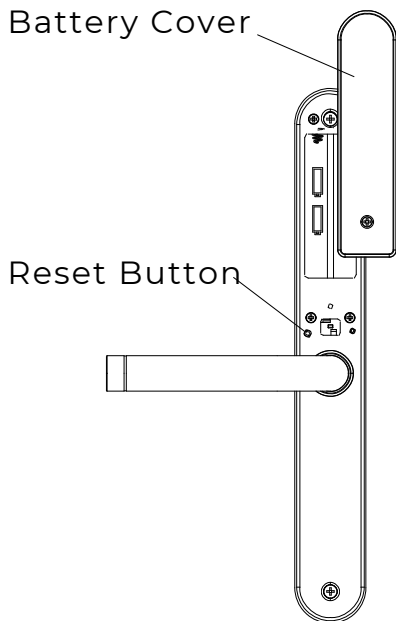


Fixing Pin

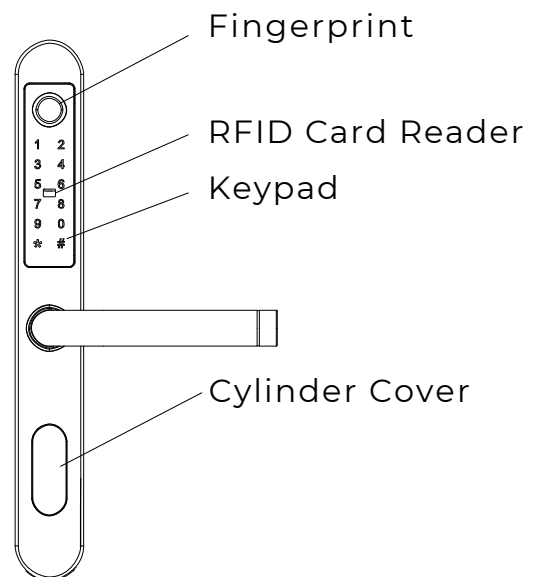


Card

# Lock Body Overview

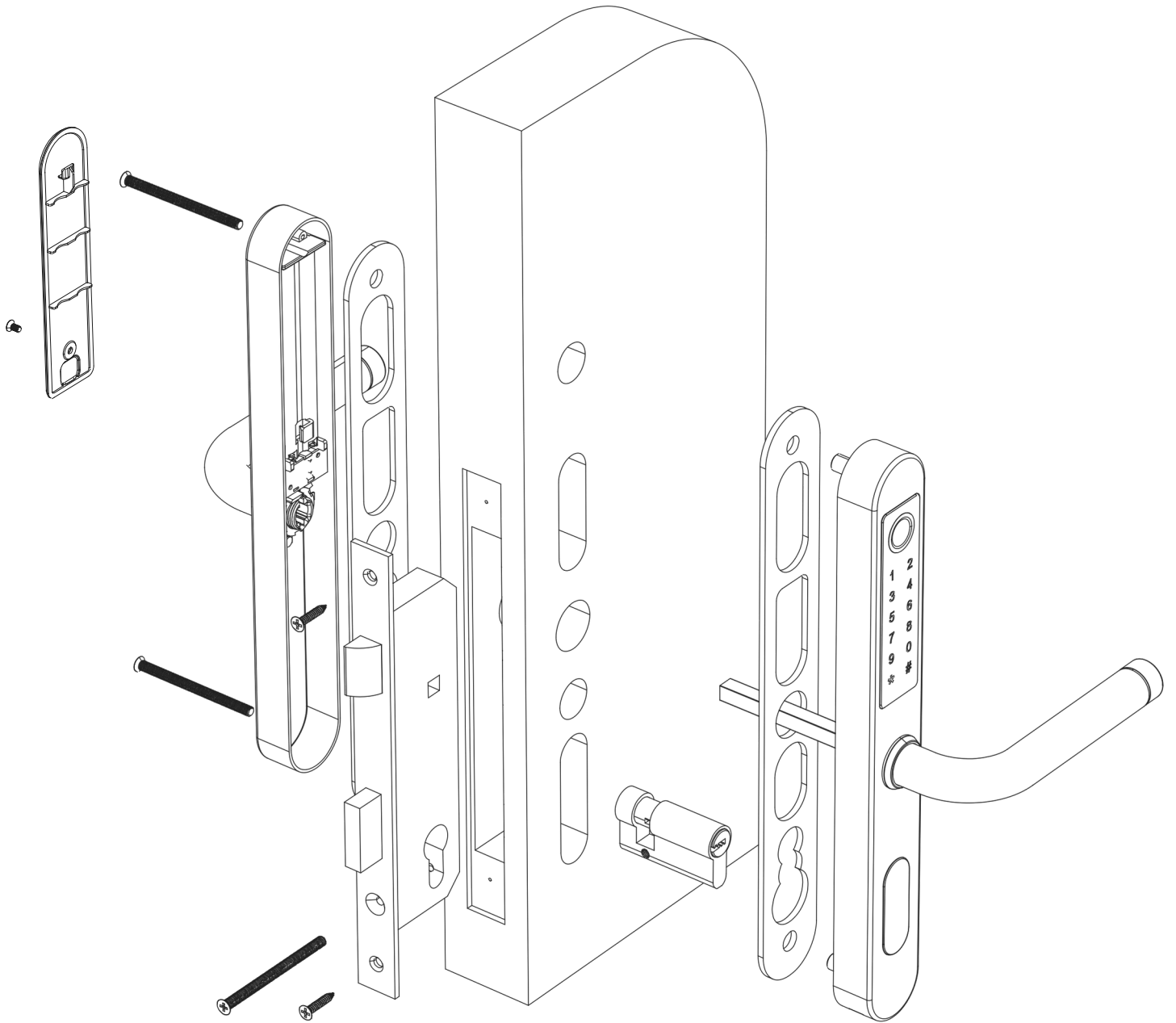


Rear Panel



Front Panel

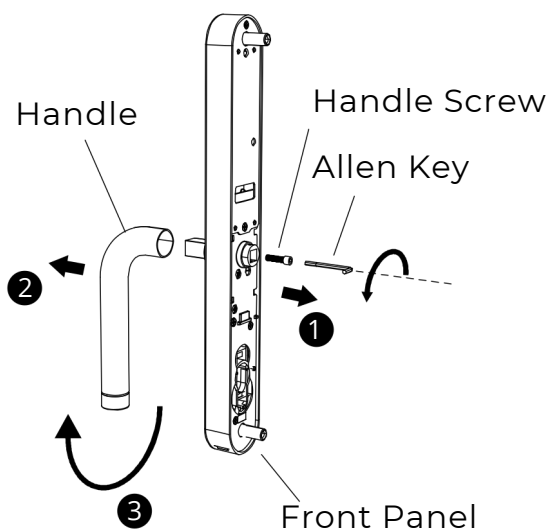
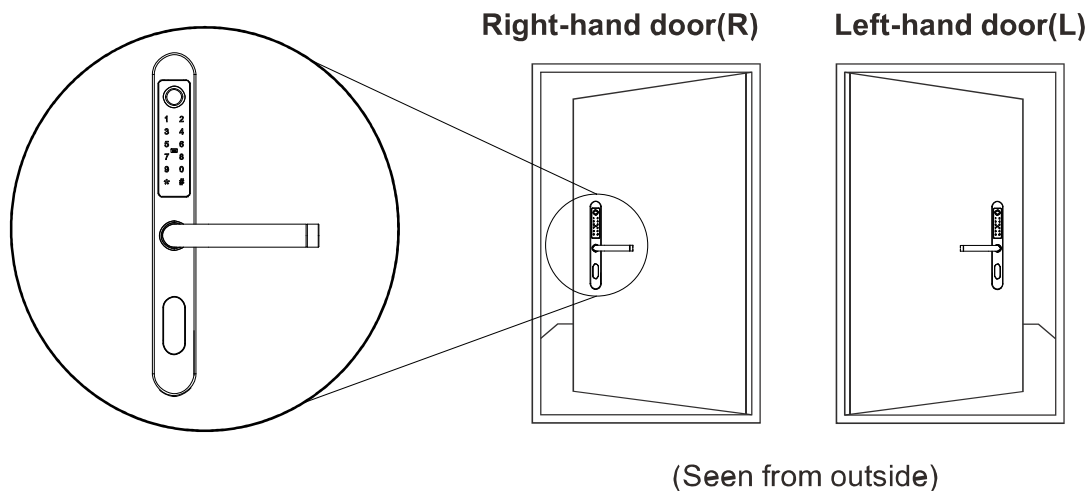
# Installation Overview



# Handle Direction Changing

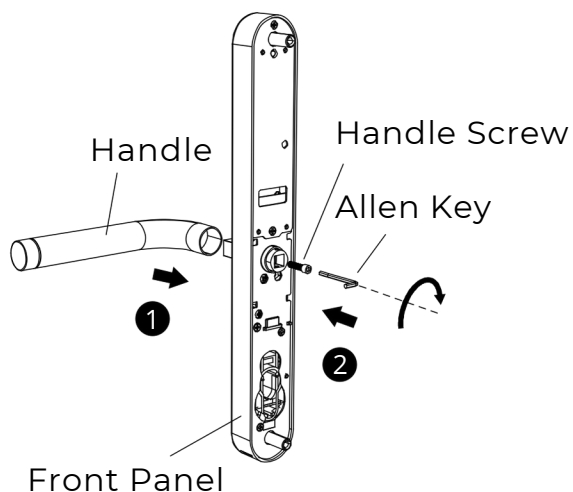
## IDENTIFY THE OPENING DIRECTION OF THE DOOR

Check the door's opening direction: if the front body is fastened on the left, it's left opening, and if it is fastened on the right, it's right opening.



1.

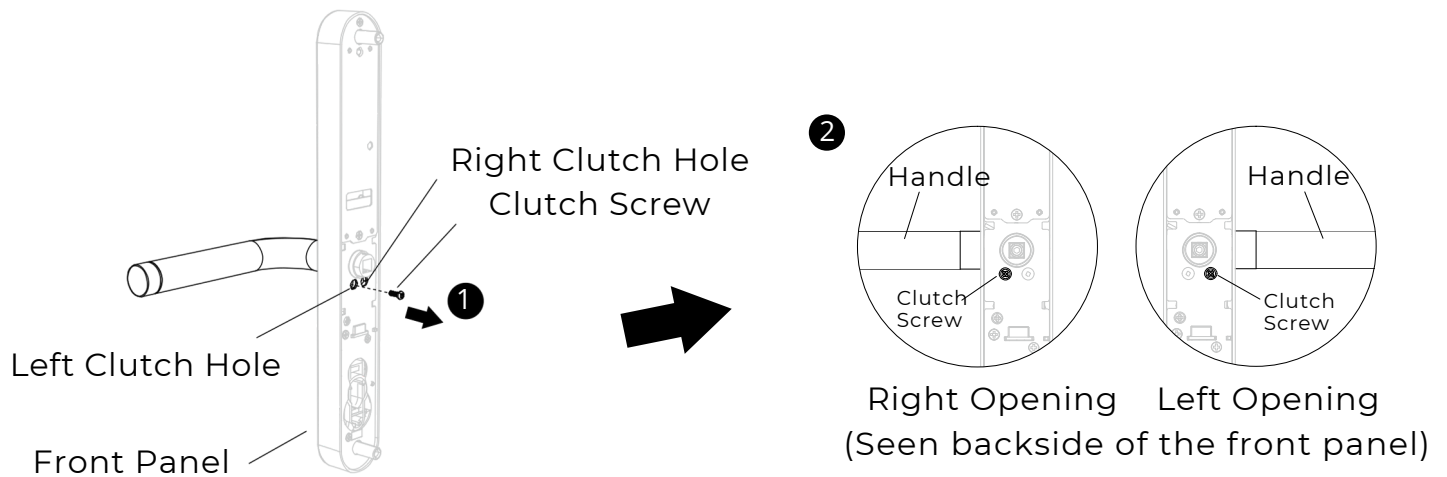
1. Loosen the handle screw with allen key;
2. Take out the handle;
3. Turn and position it in the selected direction.



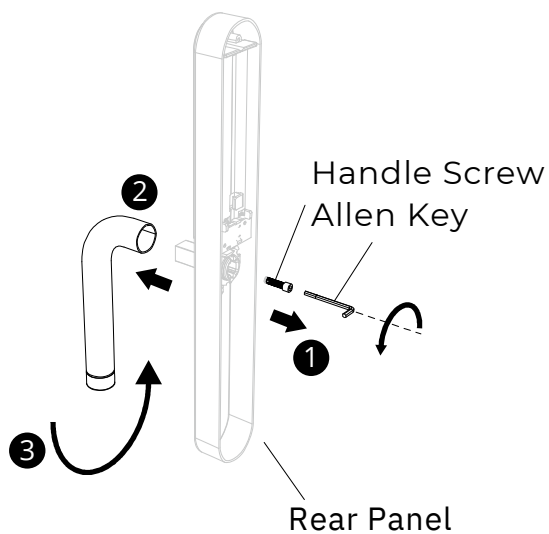
2.

1. Install the handle to the front panel;
2. Fix the handle with handle screw by allen key.

# Handle Direction Changing

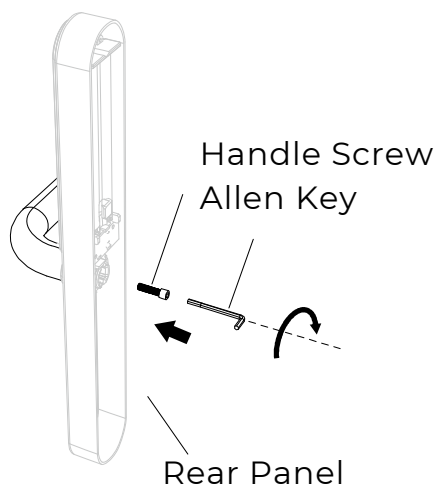


- 3.** 1. Loosen the clutch screw  
2. Fix the clutch screw to the clutch hole according to the opening direction.



**4.**

1. Loosen the handle screw with allen key;  
2. Turn the handle and position it in the selected direction.

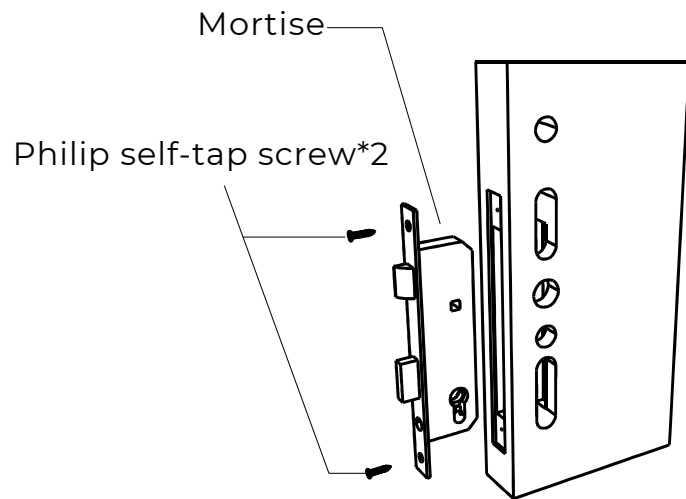


- 5.** Fix the handle with handle screw.

# Installation Guide

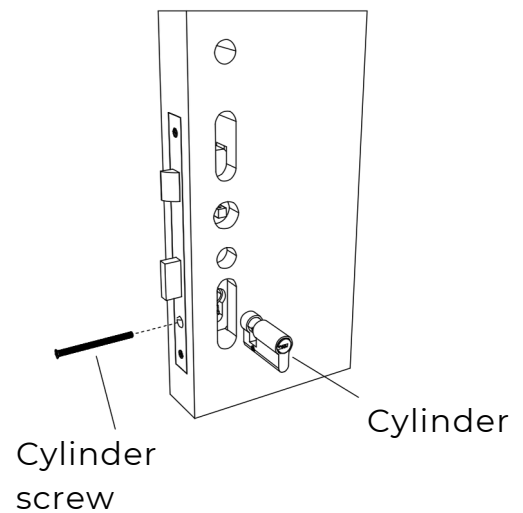
1.

Insert the mortise to the door hole, then fix the mortise with 2 screws.



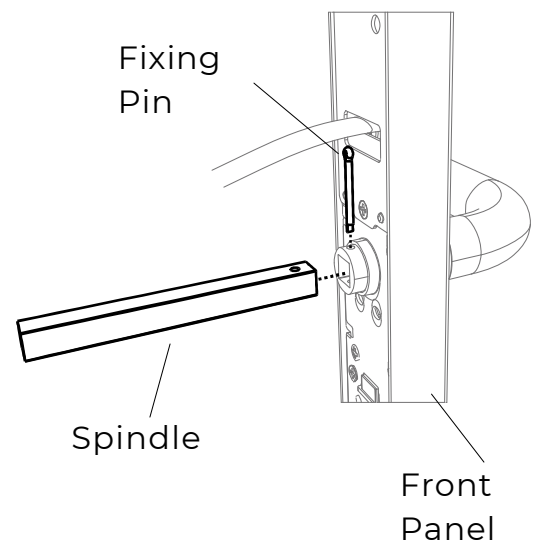
2.

Insert the cylinder to the mortise, then fix the mortise with cylinder screw.



3.

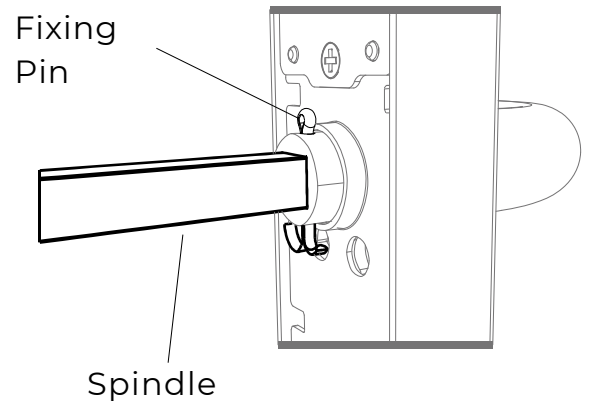
Insert the spindle to the front panel handle hole, insert the fixing pin.



# Installation Guide

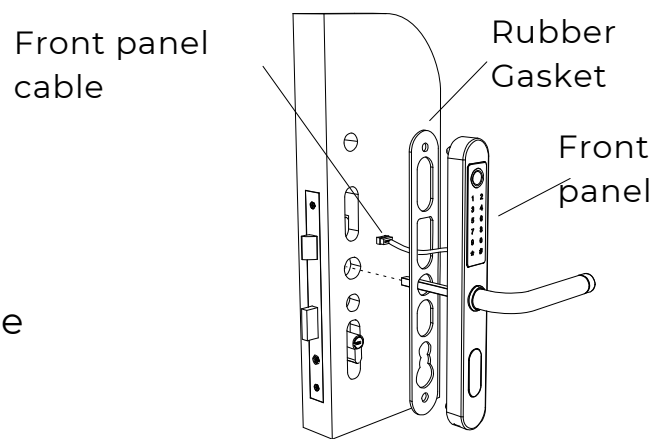
4.

Bent the fixing pin, make sure the fixing pin can not go out.



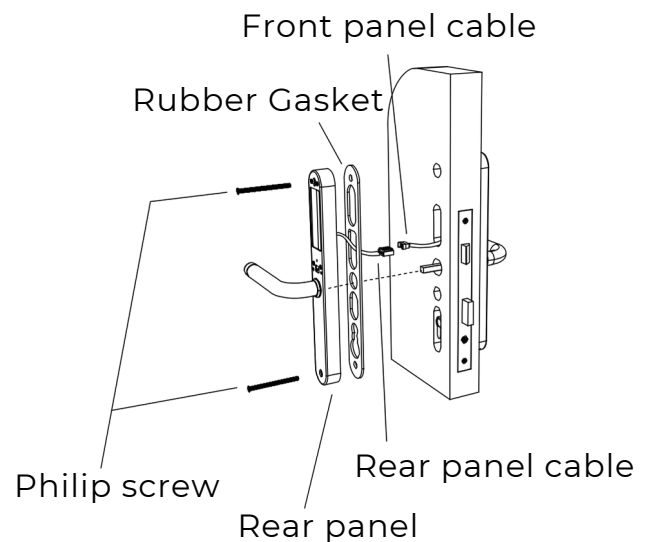
5.

Make the front panel cable and spindle get through the rubber gasket, then make the cable get through the door hole and hold the front panel onto the door.



6.

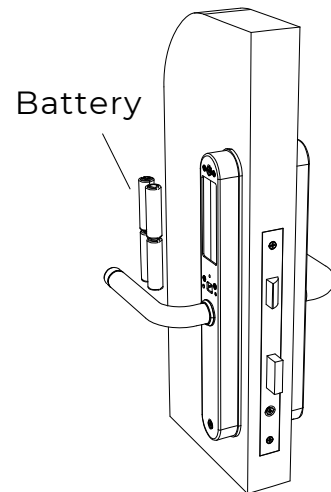
Make the rear panel cable and spindle get through the rubber gasket, then connect the cable, fix the rear panel and front panel with 2 screws.



# Installation Guide

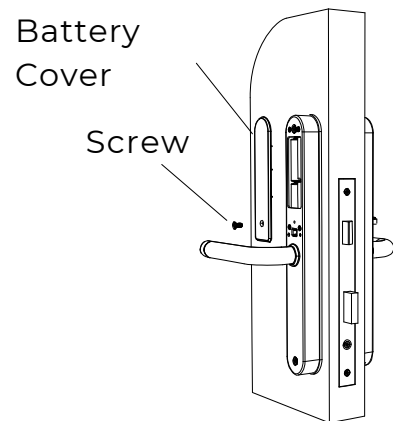
7.

Put in 4\*AA batteries.



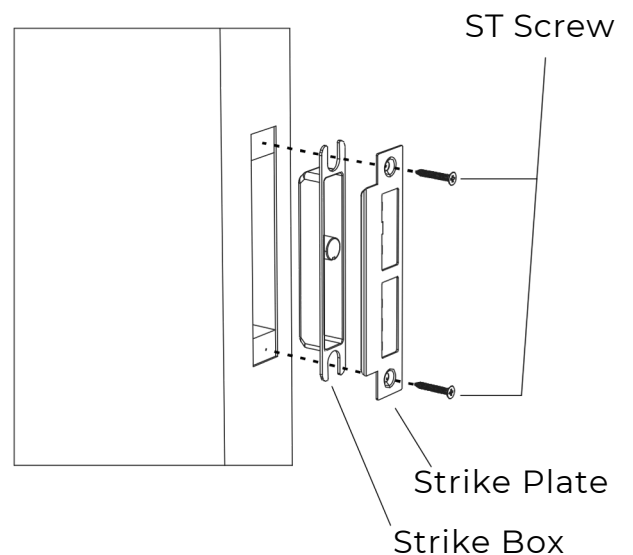
8.

Install the battery cover and fix it with screw..



9.

Put the strike box into the door hole, fix the strike plate and strike box with ST screws.





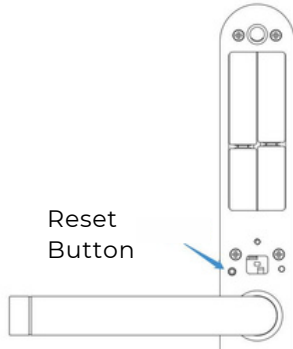
# How To Use With App



TTLock

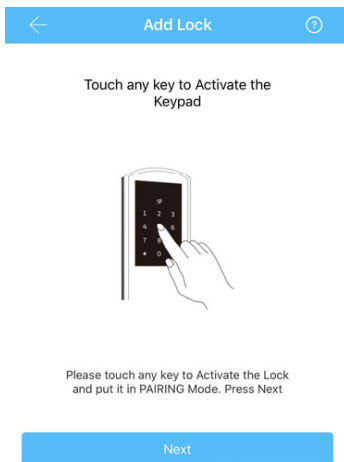


Scan to download the APP



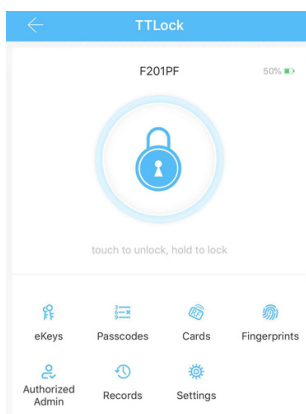
## Reset the lock

Open the battery cover, press the reset button with a small stick for 3s, then release the stick and input "0000+#".



## Link to App

Open the app and choose "Add Lock" program, press any key to activate the lock, then press "Next" in the app.



## Connected Successfully

# How To Use With App



touch to unlock, hold to lock

## Lock/ Unlock by app

Nearby the lock, touch icon to unlock and long press the icon to lock after unlocking.



eKeys

## Ekeys

You can send 4 types of Ekey.

- 1.Timed Ekeys;
- 2.Permanent Ekeys;
- 3.One-time Ekeys;
- 4.Recurring Ekeys.



Passcodes

## Passcodes

You can generate 5 types of passcodes. 1.Permanent passcodes; 2.Timed passcodes; 3.One-time passcodes; 4.Custom passcodes 5.Recurring passcodes.

You also can erase passcodes in this program.



Cards

## Cards

You can add 2 types of cards.

- 1.Permanent card;
- 2.Timed card;



Fingerprints

## Fingerprints

You can add 2 types of fingerprint.

- 1.Permanent fingerprint;
- 2.Timed fingerprint;

# How To Use With App



## Authorized Admin

### Authorized Admin

You can create 2 types of admin:

1. Timed admin;
2. Permanent admin.



## Records

### Records

You can check the log of smart lock in "records" program.



## Settings

### Setting

You can fix that:

1. Admin password;
2. Remote Unlock;
3. Time of Auto Lock;
4. Passage mode;
5. Sound On/ Off;